

PRODUCT INFO

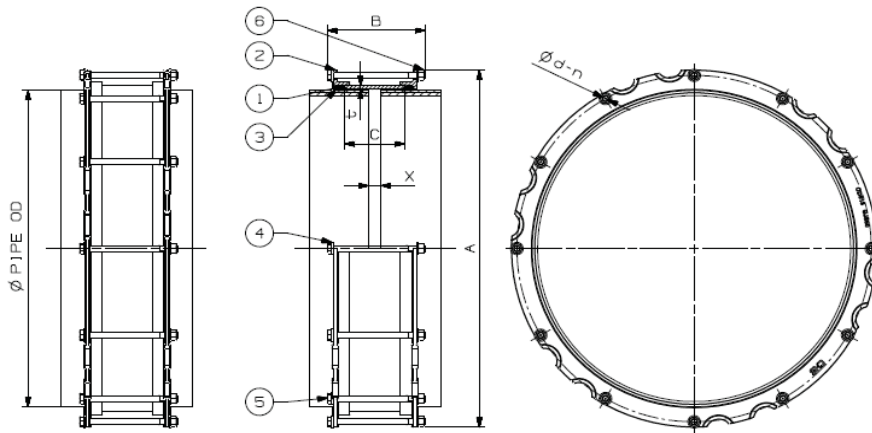
The Series 2402 is a fabricated mechanical coupling, for all MS, DI and AC pipes, suitable for use with water and neutral liquids (sewage), to a maximum temperature of +50°C. Size from OD355.6 to OD2,082 mm. Other size and standard available upon request.

TECHNICAL SPECIFICATION

<p>Size:</p> <p>Medium:</p> <p>Pressure:</p> <p> Working Pressure:</p> <p> Testing Pressure:</p> <p>Temperature:</p> <p>Flange Drilling:</p> <p>Material:</p> <p> Sleeve</p> <p> End Flange</p> <p> Gasket</p> <p> Stud Bolt</p> <p> Nut</p> <p> Washer</p> <p> Coating</p> <p>Option:</p> <p> Tie lug & tie rod</p>	<p>OD 355.6- 2,082 mm</p> <p>Water & Waste water</p> <p>10, 16 or 25 bar</p> <p>1.5 X PN</p> <p>Max. 50 deg</p> <p>Nil</p> <p>Mild steel to BS EN10025-2:2004 Grade S235JR</p> <p>Mild steel to BS EN10025-2:2004 Grade S275JR</p> <p>EPDM</p> <p>Mild Steel to BS EN ISO898-1:2009 Property Class 4.8</p> <p>Hot dipped galvanized steel to BS4190:2001 Grade 4.8</p> <p>Hot dipped galvanized steel</p> <p>Min 250µ epoxy coating RAL 5017 blue</p> <p>Mild steel to BS EN10025-2:2004 Grade S275JR</p>
--	---



The designs, materials and specifications shown are subject to change without notice due to our continuing program of products development. CHS assumes no responsibilities and liability for error and omissions or for any misinterpretation of the information within the publication.

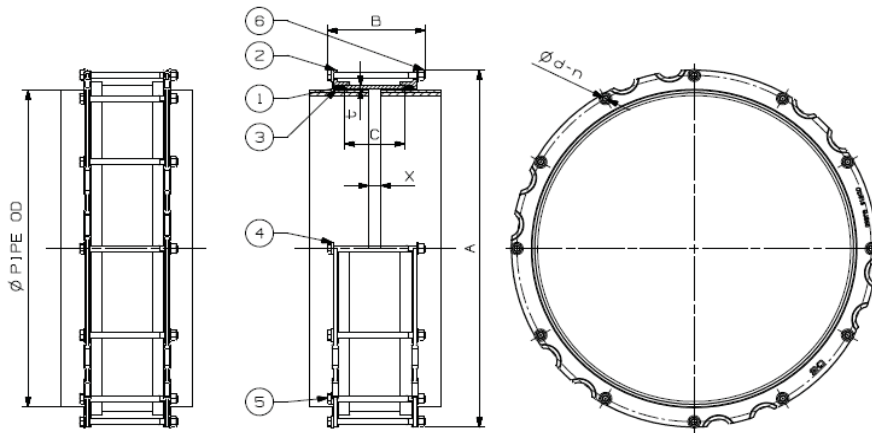


NO	PART NAME
1	SLEEVE
2	END RING
3	RUBBER GASKET
4	FLAT WASHER
5	HEX BOLT
6	HEX NUT

S2402 Flange Adaptors **DO NOT** resist end load. Adequate restraint must be provided.

Pipe OD (mm)	Pipe Material	DN	Tolerance for Distance L		L (mm)	Coupling Dimension (mm)			Setting Gap X, (mm)	Bolt Dimension		Gasket Type	Est. Weight (Kg)
			Max (mm)	Min (mm)		A	B	C X t		Qty of Stud, n	Bolt Dia. $\phi d \times$ Length (mm)		
355.6	uPVC	350	+1.6	-1.6	150	460	228	150 x 8	25	8	M16 X 215	E1	31
355.6	MS-BS	350	+1.6	-1.6	150	460	228	150 x 8	25	8	M16 X 215	E1	31
378.0	DI	350	+1.0	-3.5	150	482	228	150 x 8	25	8	M16 X 215	E1	33
399.3	MS-JKR	350	+1.6	-1.6	150	499	228	150 x 8	25	8	M16 X 215	E1	35
406.4	uPVC	400	+1.6	-1.6	150	510	228	150 x 8	25	8	M16 X 215	E1	34
406.4	MS-BS	400	+1.6	-1.6	150	510	228	150 x 8	25	8	M16 X 215	E1	34
429.0	DI	400	+1.0	-4.0	150	532	228	150 x 8	25	8	M16 X 215	E1	36
453.1	MS-JKR	400	+1.6	-1.6	150	558	228	150 x 8	25	8	M16 X 215	E1	38
457.0	uPVC	450	+1.6	-1.6	150	562	228	150 x 8	25	8	M16 X 215	E1	36
457.0	MS-BS	450	+1.6	-1.6	150	562	228	150 x 8	25	8	M16 X 215	E1	36
480.0	DI	450	+1.0	-4.0	150	584	228	150 x 8	25	8	M16 X 215	E1	38
507.0	MS-JKR	450	+1.6	-1.6	150	612	228	150 x 8	25	8	M16 X 215	E1	44
508.0	uPVC	500	+1.6	-1.6	150	612	228	150 x 8	25	10	M16 X 215	E1	44
508.0	MS-BS	500	+1.6	-1.6	150	612	228	150 x 8	25	10	M16 X 215	E1	44
532.0	DI	500	+1.0	-4.0	150	636	228	150 x 8	25	10	M16 X 215	E1	49
560.3	MS-JKR	500	+1.6	-1.6	150	665	228	150 x 8	25	10	M16 X 215	E1	51
610.0	uPVC	600	+1.6	-1.6	150	716	228	150 x 8	25	12	M16 X 215	E1	48
610.0	MS-BS	600	+1.6	-1.6	150	716	228	150 x 8	25	12	M16 X 215	E1	48
635.0	DI	600	+1.0	-4.5	150	738	228	150 x 8	25	12	M16 X 215	E1	51
667.0	MS-JKR	600	+1.6	-1.6	150	772	228	150 x 8	25	12	M16 X 215	E1	54
711.0	MS-BS	700	+1.6	-1.6	150	817	228	150 x 8	25	12	M16 X 215	E1	57
738.0	DI	700	+1.0	-4.5	150	842	228	150 x 8	25	12	M16 X 215	E1	62
754.0	MS-JKR	700	+1.6	-1.6	150	796	228	150 x 8	25	12	M16 X 215	E1	64
804.0	MS-JKR	750	+1.6	-1.6	150	858	228	150 x 8	25	12	M16 X 215	E1	70
813.0	MS-BS	800	+1.6	-1.6	150	920	228	150 x 8	25	14	M16 X 215	E1	64
842.0	DI	800	+1.0	-4.5	150	946	228	150 x 8	25	14	M16 X 215	E1	70
854.0	MS-JKR	800	+1.6	-1.6	150	908	228	150 x 8	25	14	M16 X 215	E1	72
904.0	MS-JKR	850	+1.6	-1.6	150	958	228	150 x 9	25	14	M16 X 215	E1	71
914.0	MS-BS	900	+1.6	-1.6	150	1,020	266	180 x 9	40	14	M16 X 255	E1	76
945.0	DI	900	+1.0	-5.0	150	1,050	266	180 x 9	40	14	M16 X 255	E1	78
954.0	MS-JKR	900	+1.6	-1.6	150	1,008	266	180 x 9	40	14	M16 X 254	E1	79
1,016.0	MS-BS	1,000	+1.6	-1.6	150	1,126	266	180 x 9	40	14	M16 X 255	E1	79
1,048.0	DI	1,000	+1.0	-5.0	150	1,156	266	180 x 9	40	14	M16 X 255	E1	82
1,054.0	MS-JKR	1,000	+1.6	-1.6	150	1,058	266	180 x 9	40	14	M16 X 254	E1	84
1,118.0	MS-BS	1,100	+1.6	-1.6	150	1,227	280	180 x 12	40	16	M16 X 270	E2	86
1,152.0	DI	1,100	+1.0	-6.0	150	1,276	280	180 x 12	40	16	M16 X 270	E2	90
1,157.0	MS-JKR	1,100	+1.6	-1.6	150	1,266	280	180 x 12	40	16	M16 X 270	E2	92
1,219.0	MS-BS	1,200	+1.6	-1.6	150	1,346	280	180 x 12	40	18	M16 X 270	E2	96
1,255.0	DI	1,200	+1.0	-6.0	150	1,380	280	180 x 12	40	18	M16 X 270	E2	110
1,270.0	MS-JKR	1,200	+1.6	-1.6	150	1,402	280	180 x 12	40	18	M16 X 270	E2	120

The designs, materials and specifications shown are subject to change without notice due to our continuing program of products development. CHS assumes no responsibilities and liability for error and omissions or for any misinterpretation of the information within the publication.

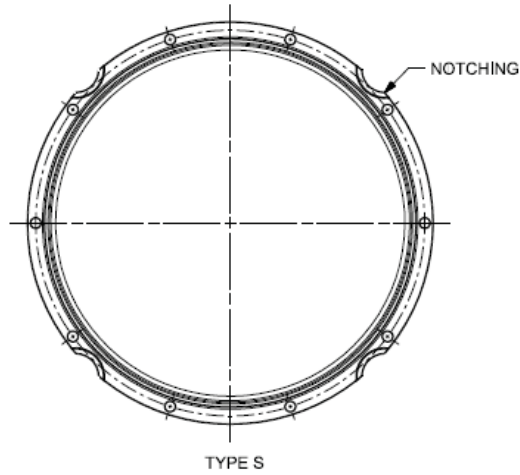


NO	PART NAME
1	SLEEVE
2	END RING
3	RUBBER GASKET
4	FLAT WASHER
5	HEX BOLT
6	HEX NUT

S2402 Flange Adaptors **DO NOT** resist end load. Adequate restraint must be provided.

Pipe OD (mm)	Pipe Material	DN	Tolerance for Distance L		L (mm)	Coupling Dimension (mm)			Setting Gap X, (mm)	Bolt Dimension		Gasket Type	Est. Weight (Kg)
			Max (mm)	Min (mm)		A	B	C X t		Qty of Stud, n	Bolt Dia. Ød X Length (mm)		
1,422.0	MS-BS	1,400	+1.6	-1.6	150	1,546	280	180 x 12	40	20	M16 X 270	E2	227
1,462.0	DI	1,400	+1.0	-7.0	150	1,586	280	180 x 12	40	20	M16 X 270	E2	250
1,472.0	MS-JKR	1,400	+1.6	-1.6	150	1,593	280	180 x 12	40	20	M16 X 270	E2	260
1,620.0	MS-BS	1,600	+1.6	-1.6	150	1,746	280	180 x 12	40	24	M16 X 270	E2	270
1,668.0	DI	1,600	+1.0	-8.0	150	1,792	280	180 x 12	40	24	M16 X 270	E2	290
1,829.0	MS-BS	1,800	+1.6	-1.6	150	1,946	370	254 x 15	55	32	M16 X 360	E3	TBA
1,875.0	DI	1,800	+1.0	-8.0	200	2,010	370	254 x 15	55	32	M16 X 360	E3	TBA
2,032.0	MS-BS	2,000	+1.6	-1.6	200	2,155	370	254 x 15	55	36	M16 X 360	E3	TBA
2,082.0	DI	2,000	+1.0	-8.0	200	2,217	370	254 x 15	55	36	M16 X 360	E3	TBA
2,235.0	MS-BS	2,200	+1.6	-1.6	200	2,370	411	280 x 15	55	36	M16 X 400	E3	TBA
2,340.0	MS-BS	2,300	+1.0	-1.6	200	2,475	441	300 X 15	55	36	M16 X 430	E3	TBA
2,470.0	MS-BS	2,400	+1.6	-1.6	200	2,605	441	300 x 15	55	40	M16 X 430	E3	TBA

The designs, materials and specifications shown are subject to change without notice due to our continuing program of products development. CHS assumes no responsibilities and liability for error and omissions or for any misinterpretation of the information within the publication.



DN	TYPE	NO OF NOTCHING	NO OF Bolt
350	S	4	8
400	S	4	8
450	S	5	10
500	S	5	10
600	S	5	10
700	S	6	12
750	S	6	12
800	S	6	12
850	S	7	14
900	S	7	14
1,000	S	7	14
1,100	S	8	16
1,200	S	8	16
1,400	S	9	18
1,600	S	10	40
1,800	S	11	44
2,000	S	12	48

NOTE:
 NOTCHING IS PRE-CUT UPON REQUEST ONLY.
 NEED TO REQUEST DURING ORDERING.

The designs, materials and specifications shown are subject to change without notice due to our continuing program of products development.
CHS assumes no responsibilities and liability for error and omissions or for any misinterpretation of the information within the publication.